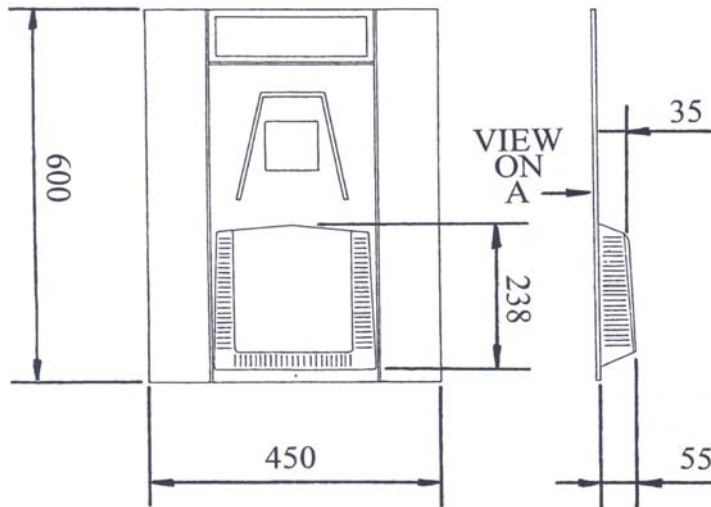
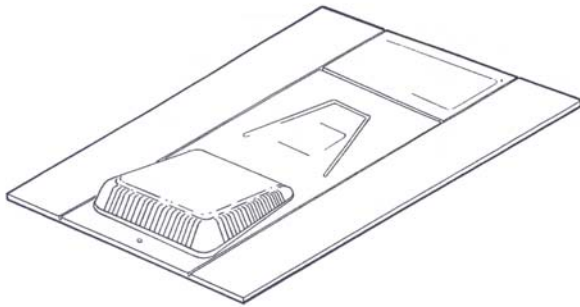
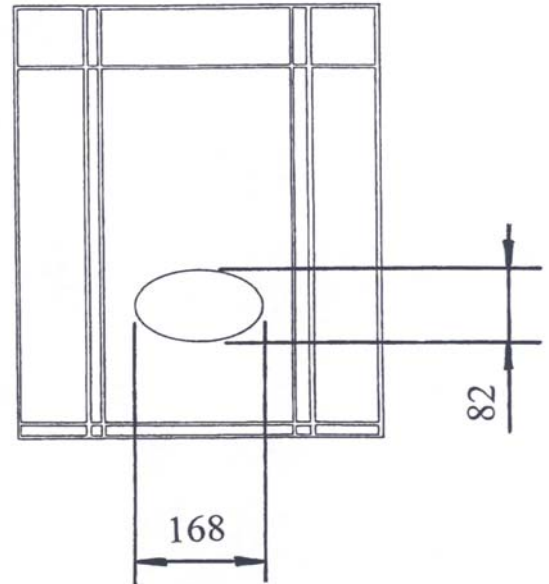


Refurbishment Slate Vent

CODE **GRSV45R**



VIEW ON A



COLOURS	Black, lightly textured finish
PACKING DETAILS	Packed in 10's in cardboard box
WEIGHT	9kg per box
MATERIAL	Polypropylene
MANUFACTURING PROCESS	Injection Moulded
FREE AIRFLOW	10,000mm ²

Description:

The GRSV45R Refurbishment Slate Vent is designed to be retro fitted into random slated roofs. It can be used for both high and low level roof ventilation requirements.

The hood of the GRSV45R features a 4mm fly screen to prevent blockage from falling debris and entry of large insects into the roof space.

The product has been extensively independently wind tunnel tested to the following standards:-

BS 6367 Deluge test 225mm/hour rainfall.
Driving rain test down to a roof pitch of 15 degrees with an up roof wind speed of 13m/s and a rainfall rate of 200mm/hour to generate a fine penetrative spray.

For detailed fitting instructions see MBP 8084.

References (Extraction):

BSI : BS5534
DOE : Building Regs F1, H1

References (Ventilation):

BRE : DIGEST 262/270
BSI : BS5250
DOE : Building Regs F2
NHBC : Standards 7.2
NHBC : Good Practise Guide

MANTHORPE BUILDING PRODUCTS LTD MANTHORPE HOUSE
BRITAIN DRIVE
CODNOR GATE BUSINESS PARK RIPLEY
DERBYSHIRE DE5 3ND

TEL: 01773 303 000
FAX: 01773 303 000
EMAIL: mbp.care@manthorpebp.co.uk
WEB: www.manthorpebp.co.uk

DRN M.A

Date 21.06.19

DRG No

Issue

The company maintains a policy of continuous development of its product range and reserves the right to amend the specification without notice.

MBP 8082

C